

# TI-7981-05

## Comparison of Power Ratings



		IE2 ( <i>old</i> )	IE3 ( <i>new</i> )	
		Number of motors	2	4
Centrifugal pump	Power rating 50Hz [kW]	7,5 / 10	7,5 / 9 / 11 / 13	
	Power rating 60Hz [kW]	7,5 / 10	8,6 / 10,3 / 12,6 / 15	
Screw spindel pump	Power rating 50Hz [kW]	7,5 / 10	7,5 / 9 / 11 / 13	
	Power rating 60Hz [kW]	8,6 / 11,5	8,6 / 10,3 / 12,6 / 15	

# TI-7981-05

## Assignment Current to Power Rating



50 Hz		
Power Rating [kW]	Current [AMPS]	
	Δ 380-420V	Δ 200V
7,5	14,2	32,9
9	16,9	37,9
11	21,5	43,3
13	24,8	49,6

60 Hz		
Power Rating [kW]	Current [AMPS]	
	Δ 440-480V	Δ 200V – 220V
8,6	14,2	32,2
10,3	16,9	37,9
12,6	21,5	48,5
15	24,8	56,2

# TI-7981-05 Assignment IE2(old) to IE3(new) Summary of Changes in Dimensions of Motors



IE2 (old)	IE3 (new)		Changes in dimensions	
Power [kW]	Power at 50/ 60 Hz [kW]	Motor $\varnothing$ [mm]	Length [mm]	Diameter [mm]
7,5	7,5/ 8,6	258	+69	0
	9,0/ 10,3	258	+69	0
10,0	9,0/ 10,3	258	+20	0
	11,0/ 12,6	310	+28	+52
	13,0/ 15,0	310	+28	+52

# TI-7981-05 Power Classification IE3

## Series STA, SAL, SFT, SGL, SFL, SFC

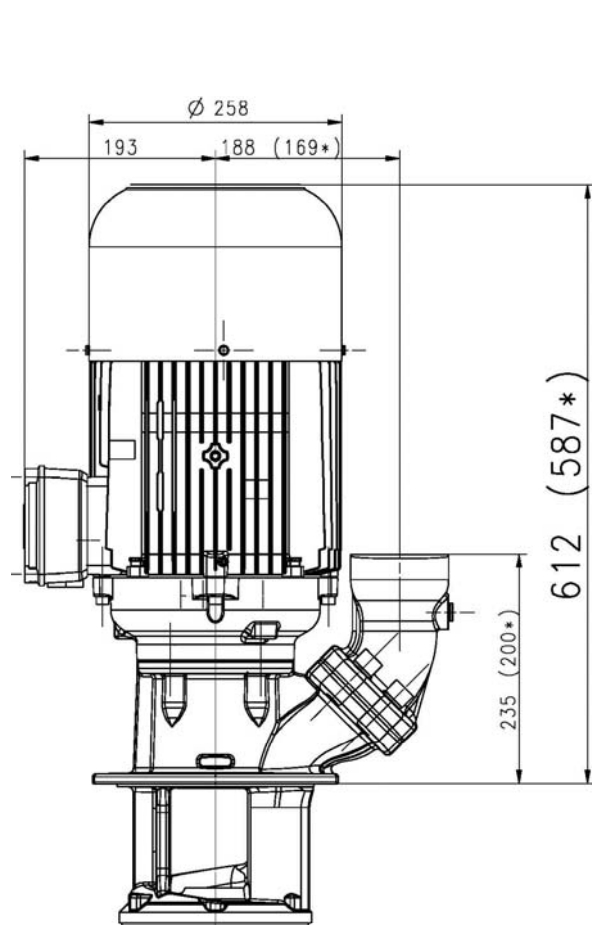


Motor power IE3 – 50/ 60 Hz:

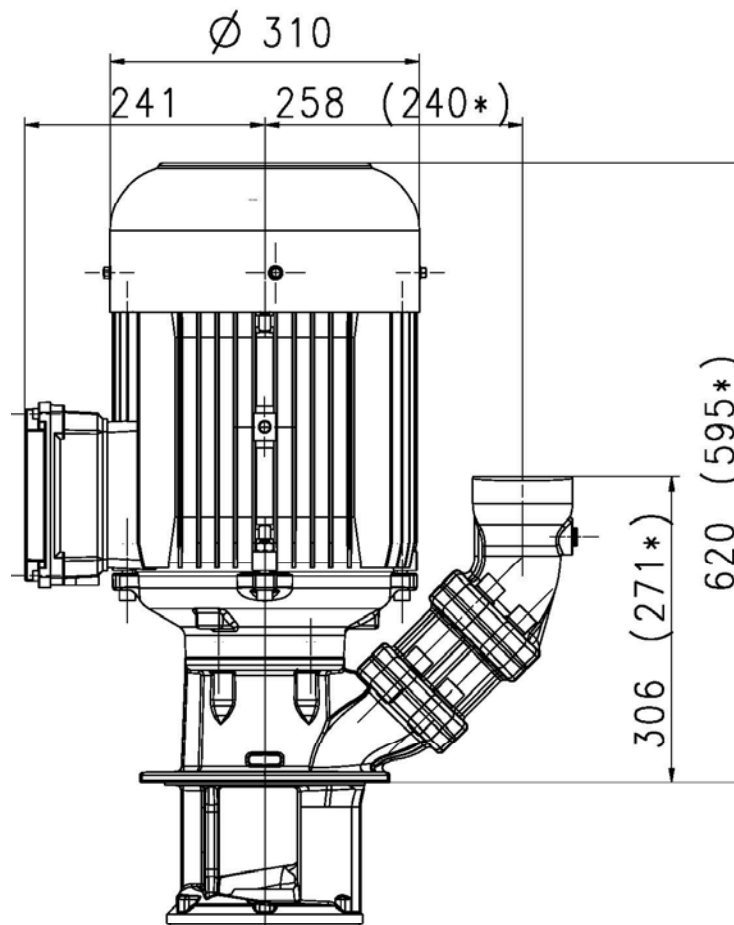
- 7,5/ 8,6 kW
- 9,0/ 10,3 kW

Motor power IE3 – 50/ 60 Hz:

- 11,0/ 12,6 kW
- 13,0/ 15,0 kW



\* = STA/SAL607...609



\* = STA/SAL607...609

Pump type	Rated power [kW]	
	IE2	IE3 - 50/ 60 Hz
STA607	7,5	7,5/ 8,6
STA608		9,0/ 10,3
STA903	7,5	9,0/ 10,3
STA904	10,0	11,0/ 12,6
STA1003	7,5	9,0/ 10,3
STA1004	10,0	13,0/ 15,0
STA1302	7,5	9,0/ 10,3
STA1303	10,0	11,0/ 12,6
STA1600	7,5	9,0/ 10,3
STA2000	10,0	11,0/ 12,6
SAL607	7,5	7,5/ 8,6
SAL608		9,0/ 10,3
SAL903	7,5	9,0/ 10,3
SAL904	10,0	11,0/ 12,6
SAL1003	7,5	9,0/ 10,3
SAL1004	10,0	13,0/ 15,0
SAL1302	7,5	9,0/ 10,3
SAL1303	10,0	11,0/ 12,6
SAL1600	7,5	9,0/ 10,3
SAL2000	10,0	11,0/ 12,6
SGL803	7,5	9,0/ 10,3
SGL804	10,0	13,0/ 15,0
SGL1102	7,5	9,0/ 10,3
SGL1103	10,0	13,0/ 15,0
SGL1400	7,5	9,0/ 10,3
SGL1700	10,0	13,0/ 15,0
SFT1350	7,5	9,0/ 10,3
SFT1400	10,0	11,0/ 12,6
SFL1550	7,5	7,5/ 8,6
SFL1850	10,0	9,0/ 10,3
SFC1520	7,5	7,5/ 8,6
SFC1820	10	11,0/ 12,6

Dimensions written in big numbers have been changed due to IE3

# TI-7981-05 Power Classification IE3

## Series STH11...17 and STC260...460

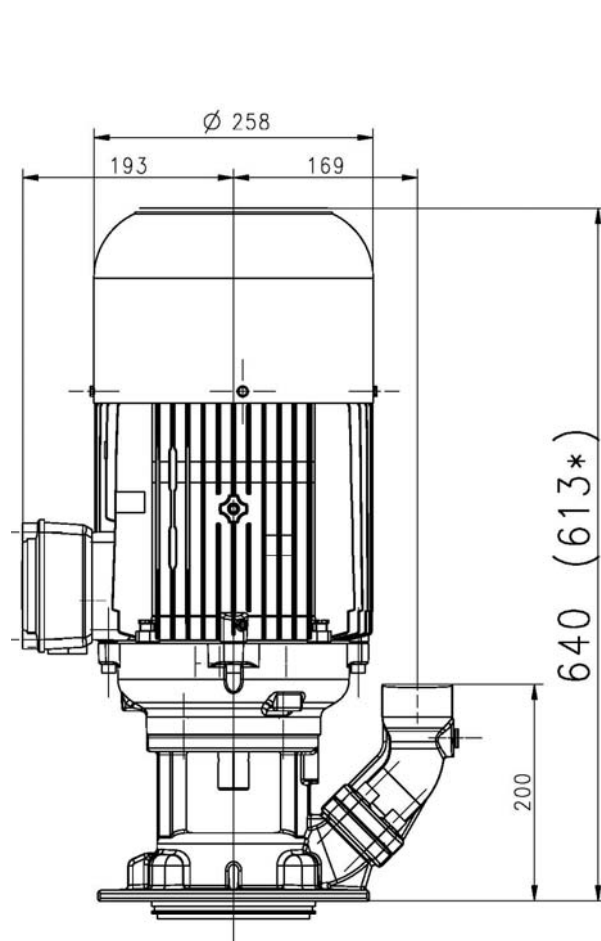


Motor power IE3 – 50/ 60 Hz:

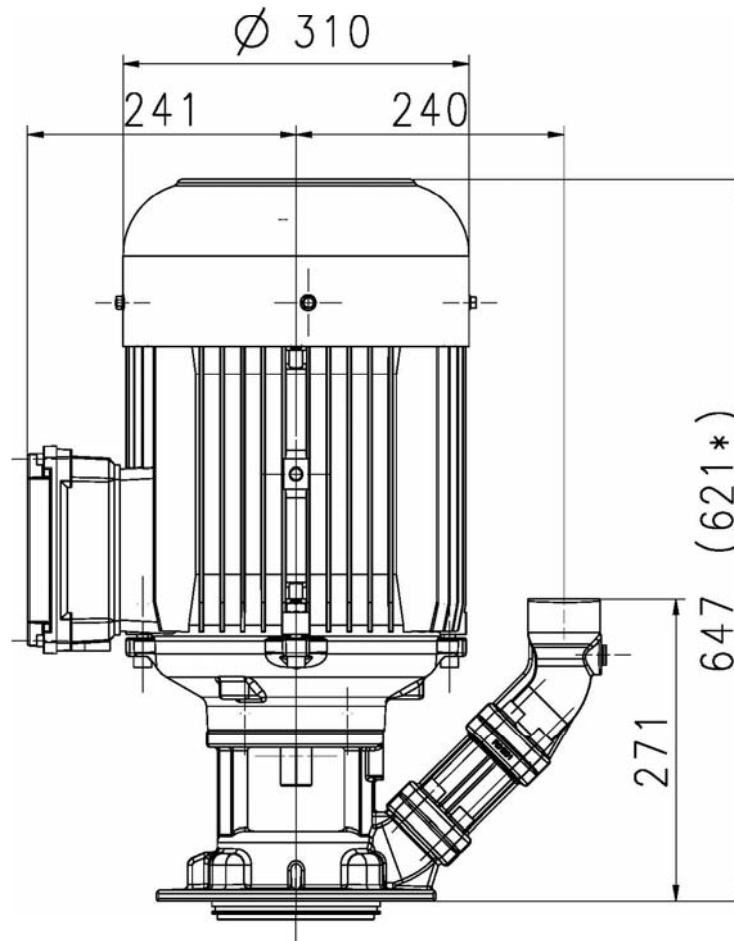
- 7,5/ 8,6 kW
- 9,0/ 10,3 kW

Motor power IE3 – 50/ 60 Hz:

- 11,0/ 12,6 kW
- 13,0/ 15,0 kW



\* = STC260...460



\* = STC260...460

Dimensions written in big numbers have been changed due to IE3

Pump type	Rated power [kW]	
	IE2	IE3 - 50/ 60 Hz
(S)TC260/920	7,5	<b>9,0/ 10,3</b>
(S)TC260/1150	10,0	<b>11,0/ 12,6</b>
(S)TC460/740	7,5	<b>9,0/ 10,3</b>
(S)TC460/870	10,0	<b>13,0</b>
Pump type	Rated power [kW]	
	IE2 - 50Hz	IE3 - 50 Hz
(S)TH1115A	7,5	<b>7,5</b>
(S)TH1116A	7,5	<b>7,5</b>
(S)TH1117A	7,5	<b>7,5</b>
(S)TH1118A	7,5	<b>7,5</b>
(S)TH1119A	7,5	<b>9,0</b>
(S)TH1120A	7,5	<b>9,0</b>
(S)TH1121A	10,0	<b>9,0</b>
(S)TH1408A	7,5	<b>7,5</b>
(S)TH1409A	7,5	<b>7,5</b>
(S)TH1410A	10,0	<b>9,0</b>
(S)TH1411A	10,0	<b>9,0</b>
(S)TH1412A	10,0	<b>11,0</b>
(S)TH1413A	10,0	<b>11,0</b>
(S)TH1706A	7,5	<b>7,5</b>
(S)TH1707A	7,5	<b>7,5</b>
(S)TH1708A	10,0	<b>9,0</b>
(S)TH1709A	10,0	<b>11,0</b>
(S)TH1710A	10,0	<b>11,0</b>
Pump type	Rated power [kW]	
	IE2 - 60Hz	IE3 - 60 Hz
(S)TH1110B	7,5	<b>8,6</b>
(S)TH1111B	7,5	<b>8,6</b>
(S)TH1112B	7,5	<b>8,6</b>
(S)TH1113B	7,5	<b>10,3</b>
(S)TH1114B	10,0	<b>10,3</b>
(S)TH1115B	10,0	<b>10,3</b>
(S)TH1405B	7,5	<b>8,6</b>
(S)TH1406B	7,5	<b>8,6</b>
(S)TH1407B	10,0	<b>10,3</b>
(S)TH1408B	10,0	<b>12,6</b>
(S)TH1704B	7,5	<b>8,6</b>
(S)TH1705B	10,0	<b>10,3</b>
(S)TH1706B	10,0	<b>12,6</b>

# TI-7981-05 Power Classification IE3

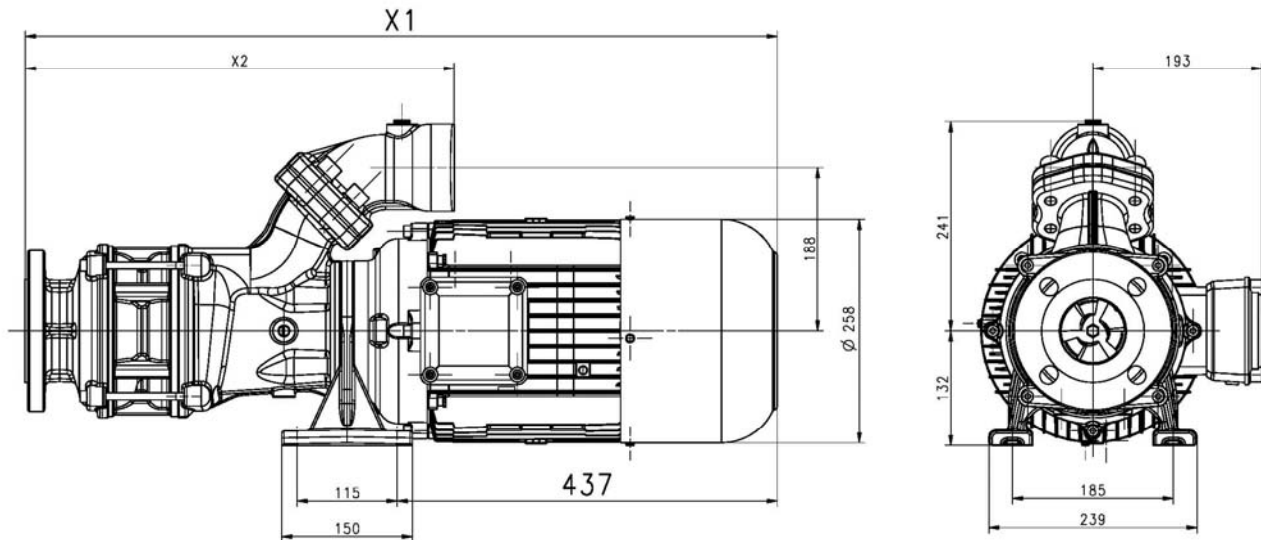
## Hor. End-Suction Pumps 7,5/ 8,6 kW - 9,0/ 10,3 kW



Motor power IE3 – 50/ 60 Hz:

- 7,5/ 8,6 kW
- 9,0/ 10,3 kW

Pump type	Rated power [kW]	
	IE2	IE3 - 50/ 60 Hz
SBA903	7,5	<b>9,0/ 10,3</b>
SBA1302	7,5	<b>7,5/ 8,6</b>
SBG803	7,5	<b>9,0/ 10,3</b>
SBG1102	7,5	<b>9,0/ 10,3</b>



X1 = Changes according to the motor that is allocated

X2 = No change in dimensions

Dimensions written in big numbers have been changed due to IE3

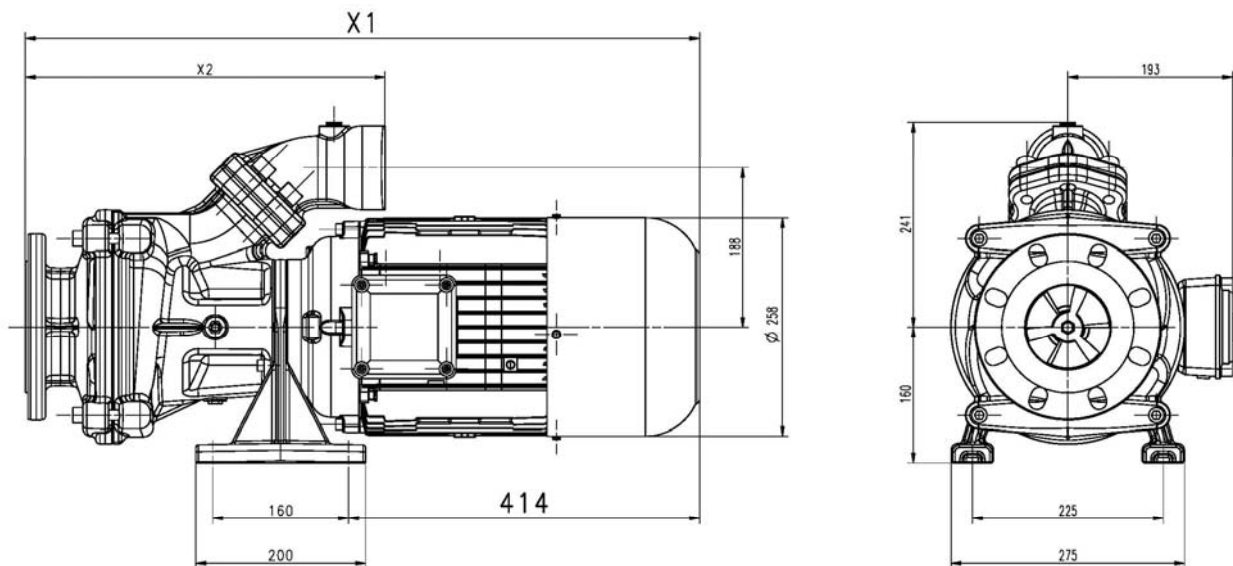
# TI-7981-05 Power Classification IE3

## Hor. End-Suction Pumps 7,5/ 8,6 kW - 9,0/ 10,3 kW



Motor power IE3 – 50/ 60 Hz:

- 7,5/ 8,6 kW
- 9,0/ 10,3 kW



Pump type	Rated power [kW]	
	IE2	IE3 - 50/ 60 Hz
SBA1600	7,5	<b>9,0/ 10,3</b>
SBA1600-V	7,5	<b>9,0/ 10,3</b>
SBG1400	7,5	<b>9,0/ 10,3</b>
SBF1550	7,5	<b>7,5/ 8,6</b>
SBF1850	10,0	<b>9,0/ 10,3</b>
SBC1520	7,5	<b>7,5/ 8,6</b>

X1 = Changes according to the motor that is allocated

X2 = No change in dimensions

Dimensions written in big numbers have been changed due to IE3

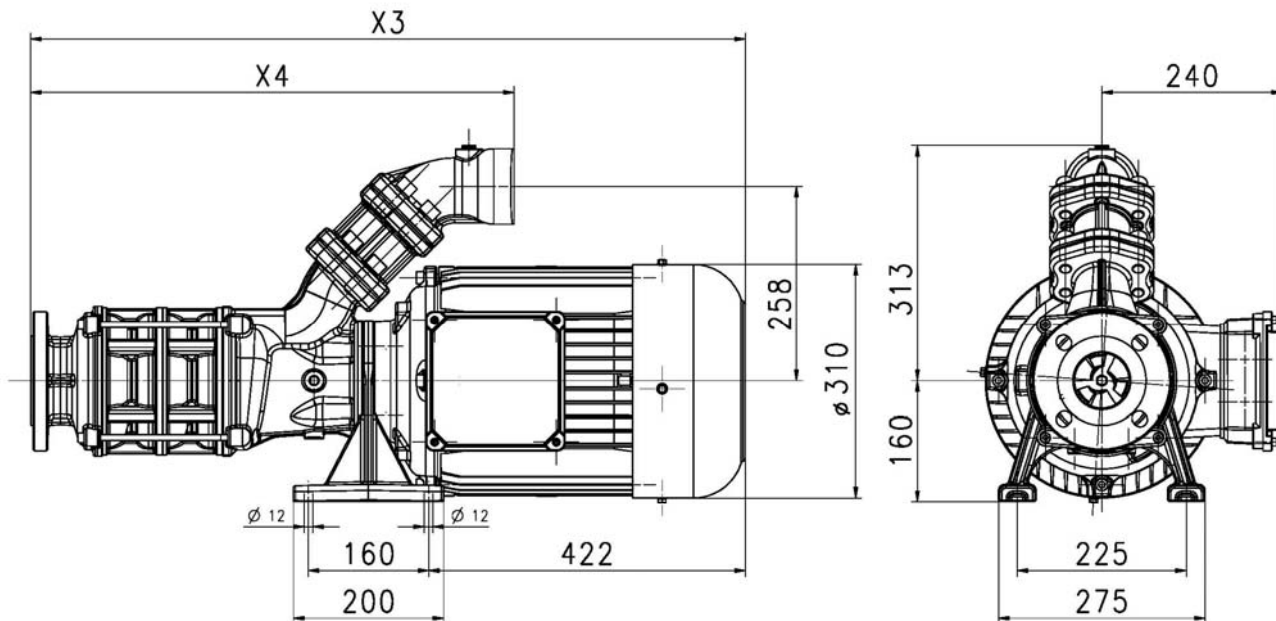
# TI-7981-05 Power Classification IE3

## Hor. End-Suction Pumps 11,0/ 12,6 kW– 13,0/ 15,0 kW



Motor power IE3 – 50/ 60 Hz:

- 11,0/ 12,6 kW
- 13,0/ 15,0 kW



Pump type	Rated power [kW]	
	IE2	IE3 - 50/ 60 Hz
SBA1303	10,0	<b>11,0/ 12,6</b>
SBA2000	10,0	<b>11,0/ 12,6</b>
SBA2000-V	10,0	<b>11,0/ 12,6</b>
SBG1103	10,0	<b>13,0/ 15,0</b>
SBG1700	10,0	<b>13,0/ 15,0</b>
SBG1700-V	10,0	<b>13,0/ 15,0</b>
SBC1820	10,0	<b>11,0/ 12,6</b>

X3 = Changes according to the motor that is allocated

X4 = 71mm longer, compared to IE2 (the total dimension depends on the type series)

Dimensions written in big numbers have been changed due to IE3

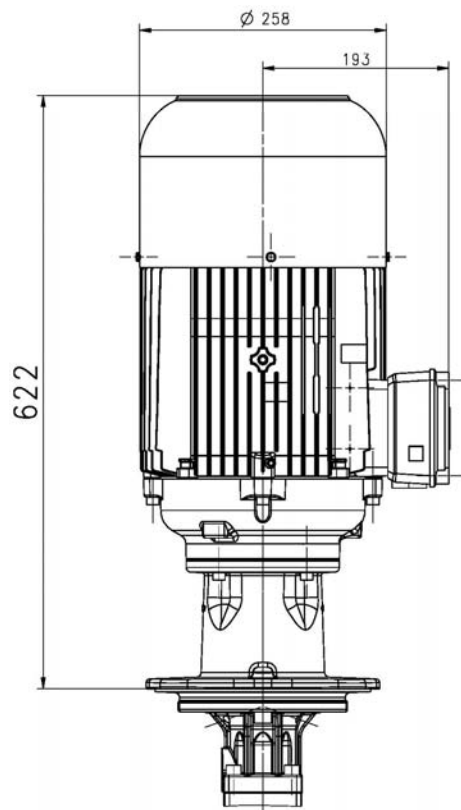


# TI-7981-05 Power Classification IE3 Screw spindle Pumps BFS1...BFS2



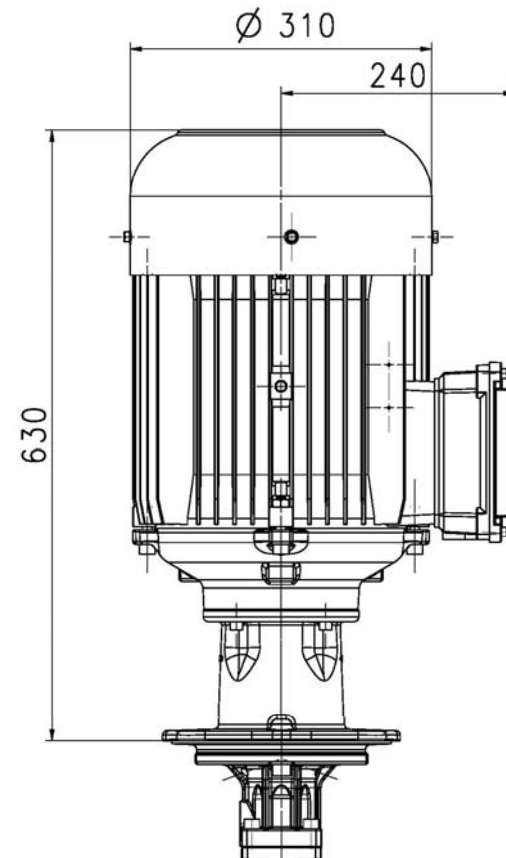
Motor power IE3 – 50/ 60 Hz:

- 7,5/ 8,6 kW
- 9,0/ 10,3 kW



Motor power IE3 – 50/ 60 Hz:

- 11,0/ 12,6 kW
- 13,0/ 15,0 kW



Dimensions written in big numbers have been changed due to IE3

# TI-7981-05 Power Classification IE3

## Screw spindle Pumps BFS1...BFS2



Pump type	Rated power [kW]	
	IE2 – 50 Hz	IE3 – 50 Hz
BFS140/150	7,5	<b>7,5</b>
BFS232/120	7,5	<b>7,5</b>
BFS232/130	7,5	<b>7,5</b>
BFS232/140	7,5	<b>7,5</b>
BFS232/150	7,5	<b>7,5</b>
BFS238/100	7,5	<b>7,5</b>
BFS238/110	7,5	<b>7,5</b>
BFS238/120	7,5	<b>7,5</b>
BFS238/130	7,5	<b>9,0</b>
BFS238/140	10,0	<b>9,0</b>
BFS238/150	10,0	<b>9,0</b>

Pump type	Rated power [kW]	
	IE2 – 50 Hz	IE3 – 50 Hz
BFS250/80	7,5	<b>7,5</b>
BFS250/90	7,5	<b>7,5</b>
BFS250/100	7,5	<b>9,0</b>
BFS250/110	10,0	<b>9,0</b>
BFS250/120	10,0	<b>11,0</b>
BFS250/130	10,0	<b>11,0</b>
BFS250/140	-	<b>11,0</b>
BFS250/150	-	<b>13,0</b>
BFS260/60	7,5	<b>7,5</b>
BFS260/70	7,5	<b>7,5</b>
BFS260/80	7,5	<b>9,0</b>
BFS260/90	10,0	<b>9,0</b>
BFS260/100	10,0	<b>11,0</b>
BFS260/110	10,0	<b>11,0</b>
BFS260/120	-	<b>11,0</b>
BFS260/130	-	<b>13,0</b>
BFS260/140	-	<b>13,0</b>

Pump type	Rated power [kW]	
	IE2 – 60 Hz	IE3 – 60 Hz
BFS140/140	8,6	<b>8,6</b>
BFS140/150	8,6	<b>8,6</b>
BFS232/110	8,6	<b>8,6</b>
BFS232/120	8,6	<b>8,6</b>
BFS232/130	8,6	<b>8,6</b>
BFS232/140	8,6	<b>8,6</b>
BFS232/150	8,6	<b>10,3</b>
BFS238/100	8,6	<b>8,6</b>
BFS238/110	8,6	<b>8,6</b>
BFS238/120	8,6	<b>8,6</b>
BFS238/130	11,5	<b>10,3</b>
BFS238/140	11,5	<b>10,3</b>
BFS238/150	11,5	<b>12,6</b>

Pump type	Rated power [kW]	
	IE2 – 60 Hz	IE3 – 60 Hz
BFS250/70	8,6	<b>8,6</b>
BFS250/80	8,6	<b>8,6</b>
BFS250/90	8,6	<b>8,6</b>
BFS250/100	11,5	<b>10,3</b>
BFS250/110	11,5	<b>12,6</b>
BFS250/120	11,5	<b>12,6</b>
BFS250/130	11,5	<b>12,6</b>
BFS250/140	-	<b>15,0</b>
BFS250/150	-	<b>15,0</b>
BFS260/60	8,6	<b>8,6</b>
BFS260/70	8,6	<b>8,6</b>
BFS260/80	11,5	<b>12,6</b>
BFS260/90	11,5	<b>12,6</b>
BFS260/100	11,5	<b>12,6</b>
BFS260/110	-	<b>12,6</b>
BFS260/120	-	<b>15,0</b>
BFS260/130	-	<b>15,0</b>