

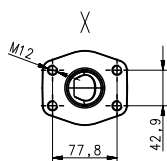
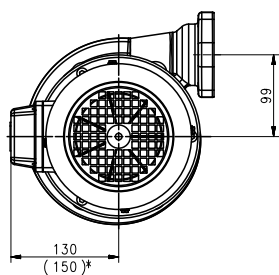
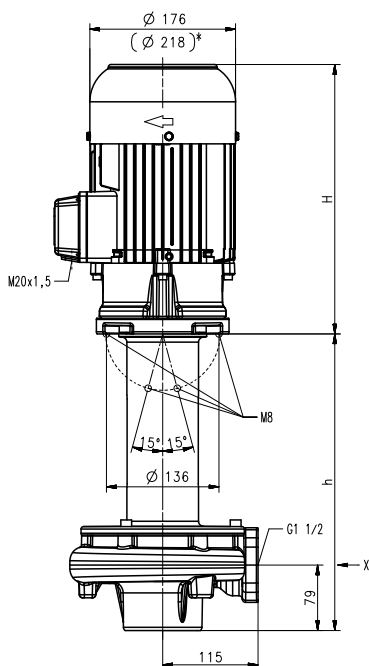
## STAINLESS STEEL PUMPS

# Stainless Steel Immersion Pumps

## TVG400...600

Closed impellers

### TVG400...600



\*) Dimensions for TVG600/60Hz

Type	Vol. del. at manom. del. head l/min / m	Height H mm	Depth of immersion h mm	Weight kg	Power kW	Voltage 3~ V	Fre- quen- cy Hz	Current A	Speed 1/min
<b>TVG400/360</b>	<b>400/12</b>	<b>325</b>	<b>358</b>	<b>47</b>	1.7	220-240	50	6.24	2890
<b>580</b>			<b>578</b>	<b>53</b>					
<b>880</b>			<b>878</b>	<b>66</b>					
<b>1100</b>			<b>1098</b>	<b>72</b>					
<b>TVG400/360</b>	<b>400/21</b>	<b>358</b>	<b>358</b>	<b>51</b>	2.94	460	60	5.1	3480
<b>60Hz</b>									
<b>580</b>			<b>578</b>	<b>57</b>					
<b>60Hz</b>									
<b>880</b>			<b>878</b>	<b>70</b>					
<b>60Hz</b>									
<b>1100</b>			<b>1098</b>	<b>76</b>					
<b>60Hz</b>									
<b>TVG600/360</b>	<b>400/16</b>	<b>358</b>	<b>358</b>	<b>50</b>	2.2	220-240	50	7.8	2890
<b>580</b>			<b>578</b>	<b>56</b>					
<b>880</b>			<b>878</b>	<b>69</b>					
<b>1100</b>			<b>1098</b>	<b>75</b>					
<b>TVG600/360</b>	<b>400/27</b>	<b>396</b>	<b>358</b>	<b>62</b>	3.8	460	60	6.4	3520
<b>60Hz</b>									
<b>580</b>			<b>578</b>	<b>68</b>					
<b>60Hz</b>									
<b>880</b>			<b>878</b>	<b>80</b>					
<b>60Hz</b>									
<b>1100</b>			<b>1098</b>	<b>86</b>					
<b>60Hz</b>									

### Stainless Steel Immersion Pumps

are centrifugal pumps of compact design with the impeller mounted directly onto the extended motor shaft.

The **TVG pump** series maximizes hydraulic efficiencies with its **closed impeller** design.

These pump series are both particularly well suited for industrial washing applications of metal parts.

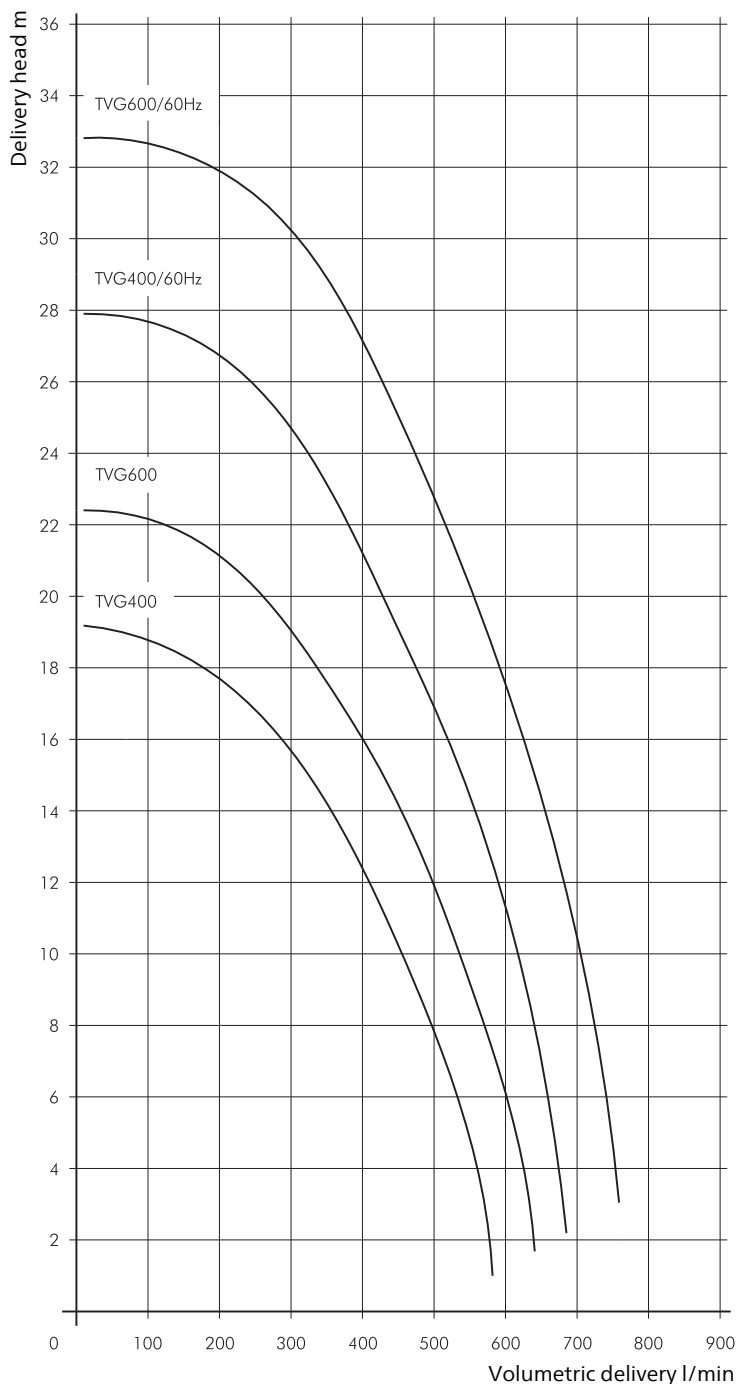
Complete pump and plate assemblies, including discharge pipe and mounting plate are available upon request.

### Applications

- Types of fluid  
 Industry water  
 coolants  
 cooling/cutting oils  
 lees / solvents  
 de-ionized water
- Kinematic viscosity  
 ...20 mm<sup>2</sup>/s (20 cSt)
- Pumping temperature  
 0...90° C

### Construction

Pump body	CrNi-steel
Cover	CrNi-steel
Impeller	CrNi-steel
Shaft	CrNi-steel
Optional: Suction cover	with threaded inlet
Noise level	
TVG400	66 dBA
TVG600	
TVG400/60Hz	69 dBA
TVG600/60Hz	74 dBA

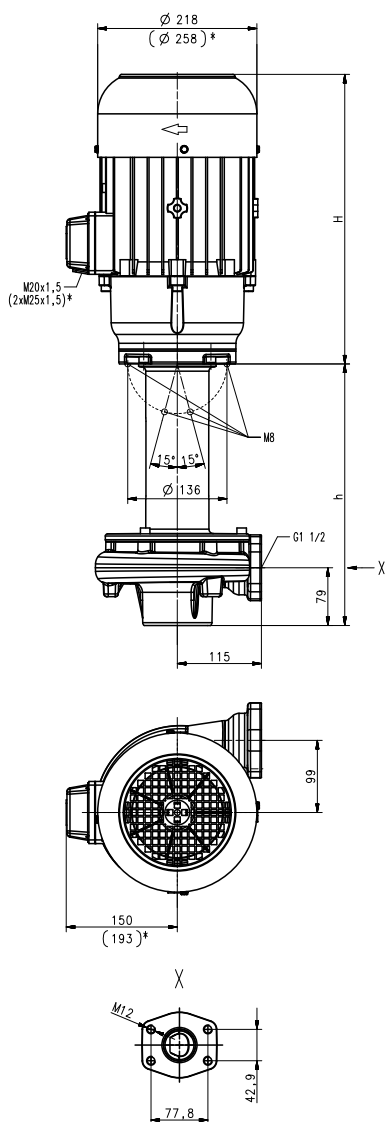


# Stainless Steel Immersion Pumps

## TVG900...1000

Closed impellers

### TVG900...1000



\*) Dimensions for TVG1000/60Hz

Type	Vol. del. at manom. del. head l/min / m	Height H mm	Depth of immersion h mm	Weight kg	Power kW	Voltage 3~ V	Fre- quen- cy Hz	Current A	Speed 1/min
<b>TVG900/360</b>	<b>500/22</b>	<b>396</b>	<b>358</b>	<b>63</b>	3.3	220-240	50	11.6	2930
<b>580</b>			<b>578</b>	<b>69</b>					
<b>880</b>			<b>878</b>	<b>82</b>					
<b>1100</b>			<b>1098</b>	<b>88</b>					
<b>TVG900/360</b>	<b>500/35</b>	<b>426</b>	<b>358</b>	<b>69</b>	5.75	460	60	9.5	3520
<b>60Hz</b>			<b>578</b>	<b>75</b>					
<b>60Hz</b>			<b>878</b>	<b>88</b>					
<b>1100</b>			<b>1098</b>	<b>94</b>					
<b>TVG1000/360</b>	<b>600/26</b>	<b>426</b>	<b>358</b>	<b>69</b>	5.0	220-240	50	17.3	2920
<b>580</b>			<b>578</b>	<b>75</b>					
<b>880</b>			<b>878</b>	<b>88</b>					
<b>1100</b>			<b>1098</b>	<b>94</b>					
<b>TVG1000/360</b>	<b>600/40</b>	<b>468</b>	<b>358</b>	<b>91</b>	7.48	460	60	11.5	3545
<b>60Hz</b>			<b>578</b>	<b>97</b>					
<b>60Hz</b>			<b>878</b>	<b>109</b>					
<b>1100</b>			<b>1098</b>	<b>115</b>					

### Stainless Steel Immersion Pumps

are centrifugal pumps of compact design with the impeller mounted directly onto the extended motor shaft.

The **TVG pump** series maximizes hydraulic efficiencies with its **closed impeller** design.

These pump series are both particularly well suited for industrial washing applications of metal parts.

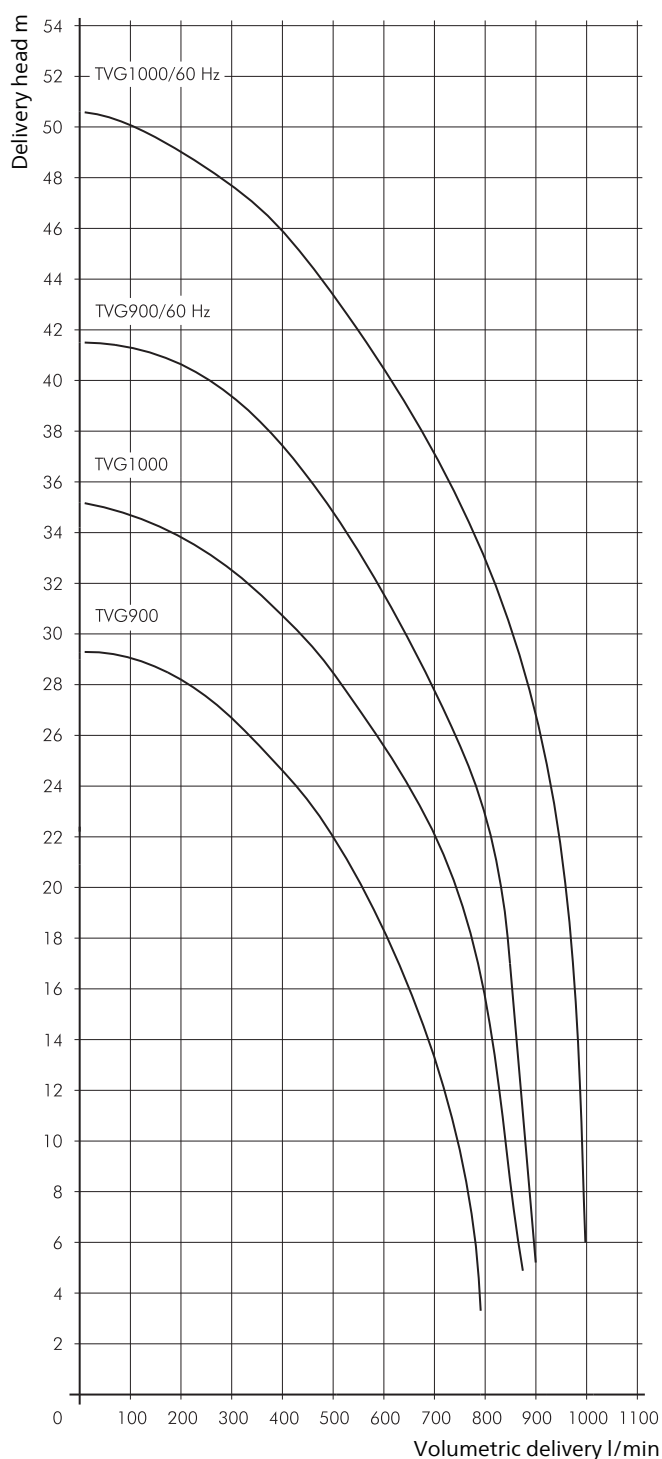
Complete pump and plate assemblies, including discharge pipe and mounting plate are available upon request.

### Applications

- Types of fluid
- Industry water
  - coolants
  - cooling/cutting oils
  - lees / solvents
  - de-ionized water
- Kinematic viscosity
- ...20 mm<sup>2</sup>/s (20 cSt)
- Pumping temperature
- 0...90° C

### Construction

Pump body	CrNi-steel
Cover	CrNi-steel
Impeller	CrNi-steel
Shaft	CrNi-steel
Optional:	
Suction cover	with threaded inlet
Noise level	
TVG900	71 dBA
TVG1000	
TVG900/60Hz	74 dBA
TVG1000/60Hz	77 dBA

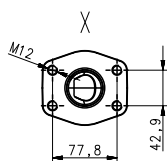
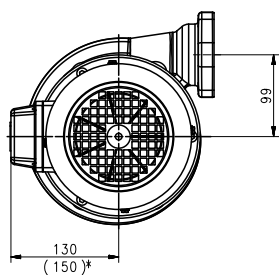
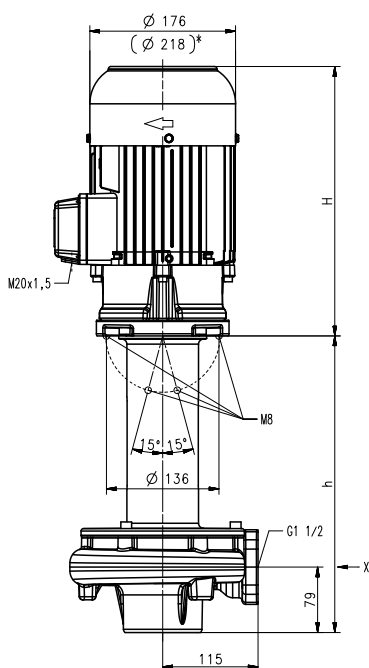


# Stainless Steel Immersion Pumps

## TVA400...600

### Semi-open impellers

#### TVA400...600



\*) Dimensions for TVA600/60Hz

Type	Vol. del. at manom. del. head l/min /m	Height H mm	Depth of immersion h mm	Weight kg	Power kW	Voltage 3~ V	Fre- quen- cy Hz	Current A	Speed 1/min
<b>TVA400/360</b>	400/11	325	358	47	1.7	220-240	50	6.24	2890
<b>580</b>			578	53					
<b>880</b>			878	66					
<b>1100</b>			1098	72					
<b>TVA400/360</b>	400/19	358	358	51	2.94	460	60	5.1	3480
<b>60Hz</b>									
<b>580</b>			578	57					
<b>60Hz</b>									
<b>880</b>			878	70					
<b>60Hz</b>									
<b>1100</b>			1098	76					
<b>60Hz</b>									
<b>TVA600/360</b>	400/15	358	358	50	2.2	220-240	50	7.8	2890
<b>580</b>			578	56					
<b>880</b>			878	69					
<b>1100</b>			1098	75					
<b>TVA600/360</b>	400/25	396	358	62	3.8	460	60	6.4	3520
<b>60Hz</b>									
<b>580</b>			578	68					
<b>60Hz</b>									
<b>880</b>			878	80					
<b>60Hz</b>									
<b>1100</b>			1098	86					
<b>60Hz</b>									

### Stainless Steel Immersion Pumps

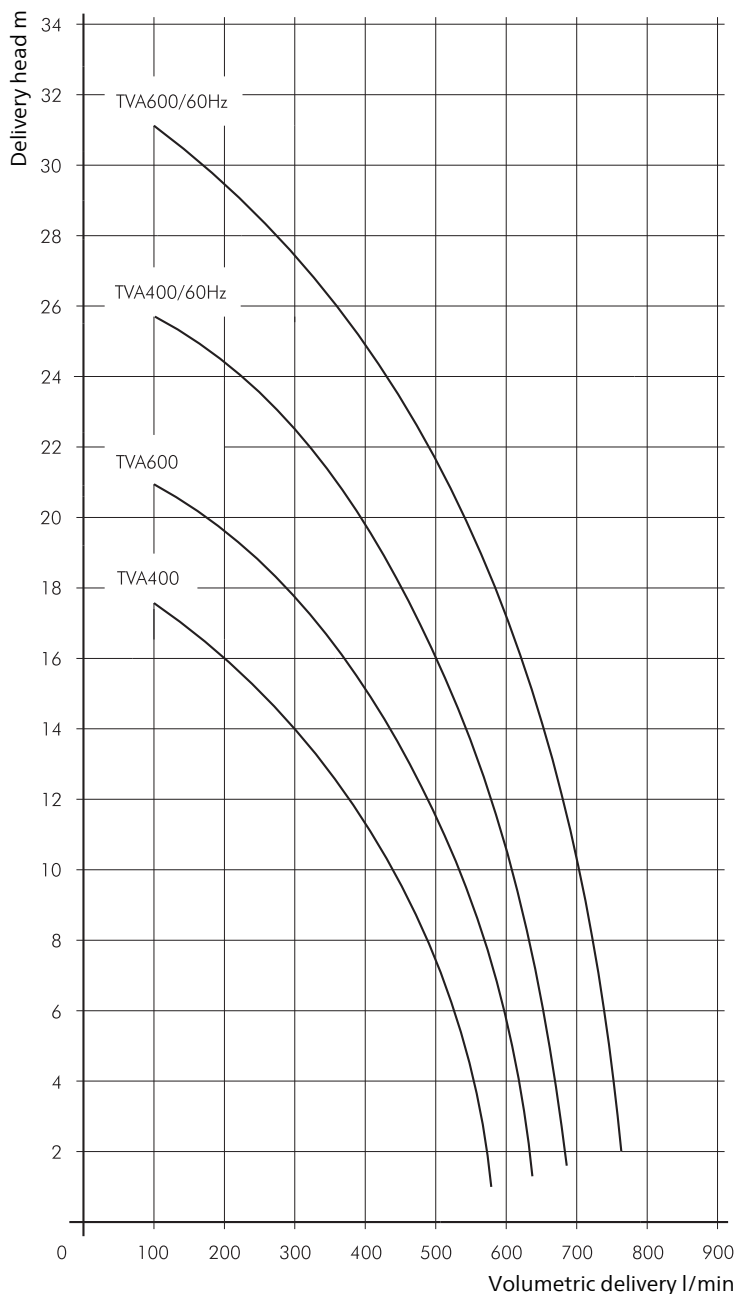
are centrifugal pumps of compact design with a **semi-open impeller** mounted directly onto the extended motor shaft. The **TVA** pump series achieves **very good hydraulic efficiencies** while being well suited for handling small metal chips and fines. This makes this pump series the perfect choice for industrial washing applications of metal parts. Complete pump and plate assemblies, including discharge pipe and mounting plate are available upon request.

### Applications

Types of fluid  
 Industry water  
 coolants  
 cooling/cutting oils  
 lees / solvents  
 de-ionized water  
 Kinematic viscosity  
 ...20 mm<sup>2</sup>/s (20 cSt)  
 Pumping temperature  
 0...90° C  
 Max. chip to coolant ratio by weight:  
 0.03 %

### Construction

Pump body	CrNi-steel
Cover	CrNi-steel
Impeller	CrNi-steel
Shaft	CrNi-steel
Optional:	
Suction cover	with threaded inlet
Noise level	
TVA400	66 dBA
TVA600	69 dBA
TVA400/60Hz	69 dBA
TVA600/60Hz	74 dBA

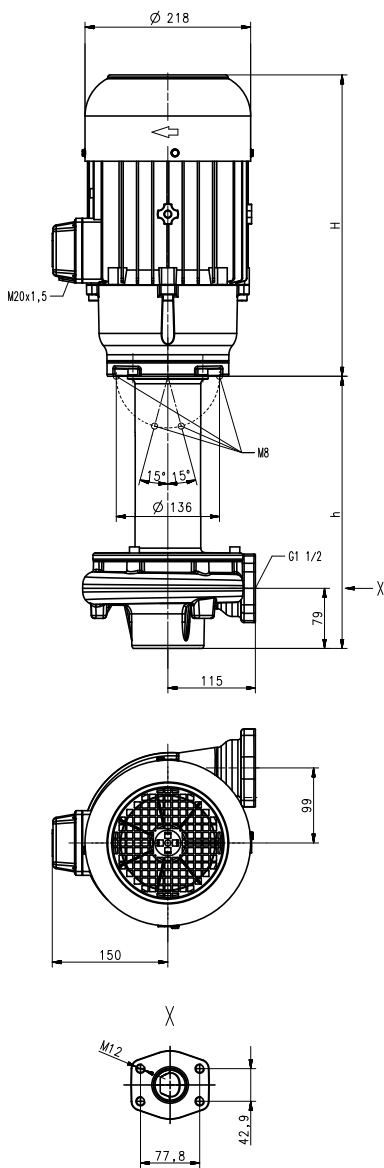


# Stainless Steel Immersion Pumps

## TVA900

### Semi-open impellers

TVA900



Type	Vol. del. at manom. del. head l/min / m	Height H mm	Depth of immersion h mm	Weight kg	Power kW	Voltage 3~ V	Fre- quen- cy Hz	Current A	Speed 1/min
<b>TVA900/360</b>	500/19	396	358	63	3.3	220-240	50	11.6	2930
<b>580</b>			578	69					
<b>880</b>			878	82					
<b>1100</b>			1098	88					
<b>TVA900/360</b>	500/32	426	358	69	5.75	460	60	9.5	3520
<b>60Hz</b>			578	75					
<b>60Hz</b>			878	88					
<b>60Hz</b>			1098	94					
<b>1100</b>									
<b>60Hz</b>									



### Stainless Steel Immersion Pumps

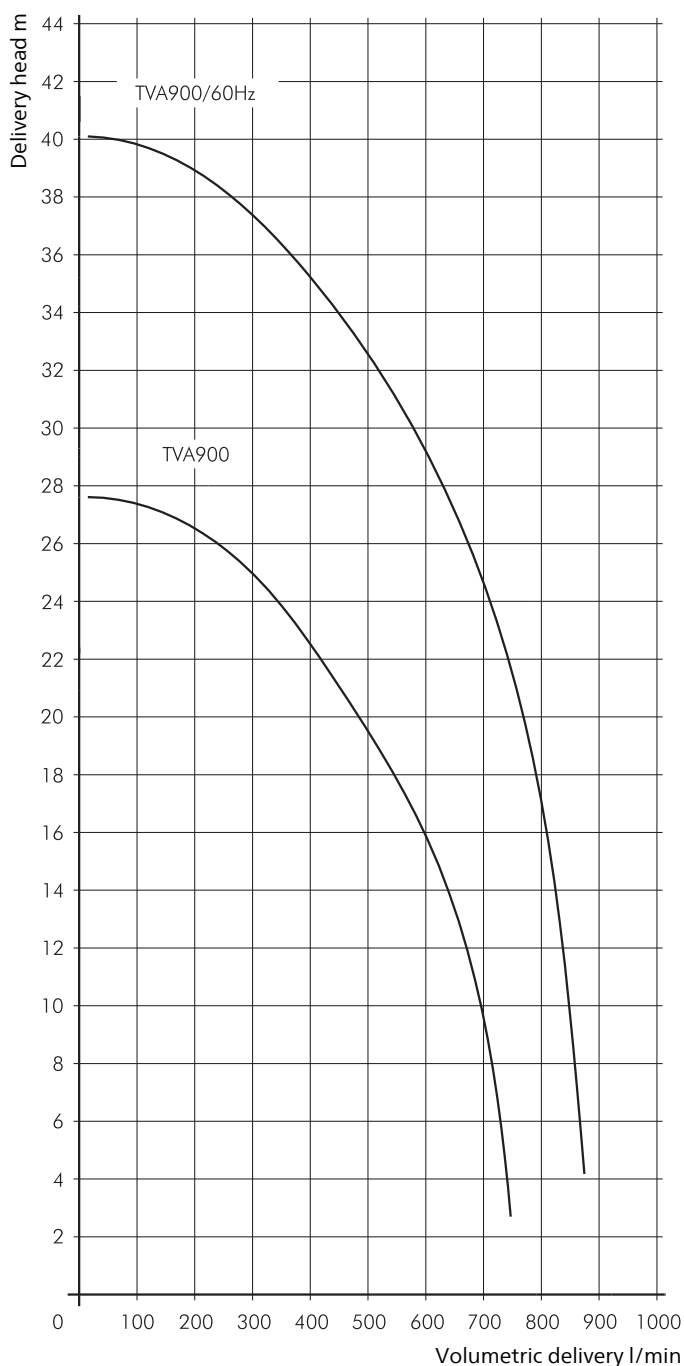
are centrifugal pumps of compact design with a **semi-open impeller** mounted directly onto the extended motor shaft. The **TVA** pump series achieves **very good hydraulic efficiencies** while being well suited for handling small metal chips and fines. This makes this pump series the perfect choice for industrial washing applications of metal parts. Complete pump and plate assemblies, including discharge pipe and mounting plate are available upon request.

### Applications

Types of fluid  
 Industry water  
 coolants  
 cooling/cutting oils  
 lees / solvents  
 de-ionized water  
 Kinematic viscosity  
 ...20 mm<sup>2</sup>/s (20 cSt)  
 Pumping temperature  
 0...90° C  
 Max. chip to coolant ratio by weight:  
 0.03 %

### Construction

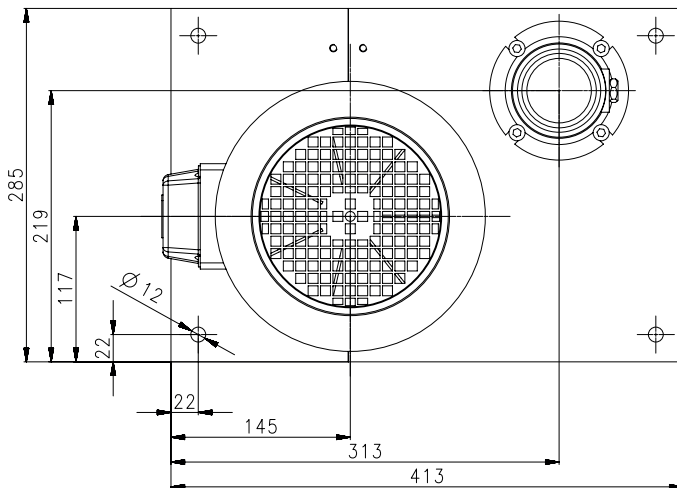
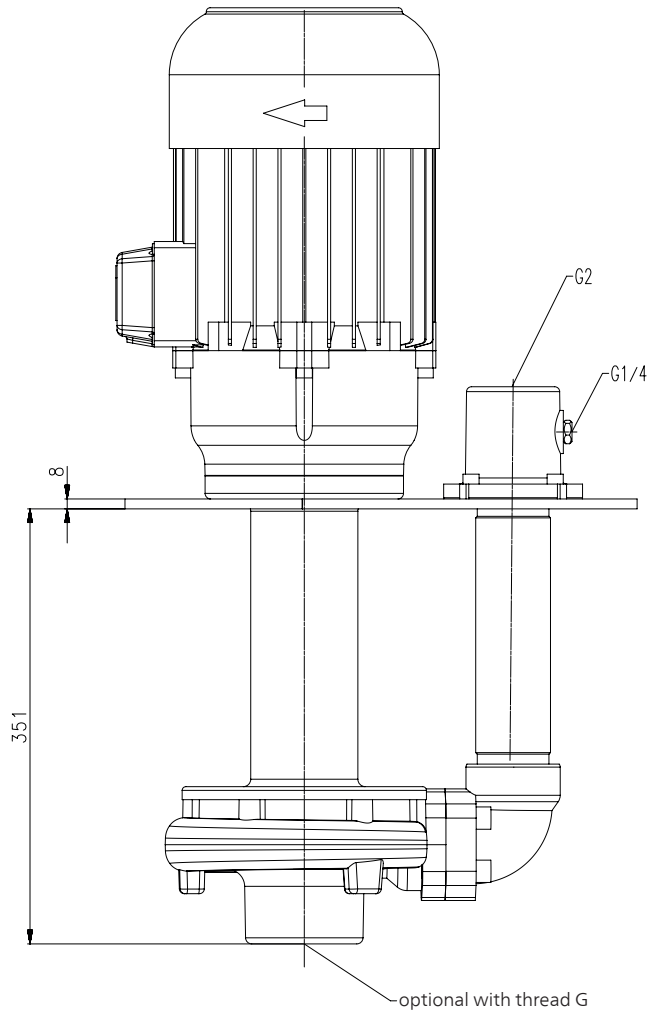
Pump body	CrNi-steel
Cover	CrNi-steel
Impeller	CrNi-steel
Shaft	CrNi-steel
Optional:	
Suction cover	with threaded inlet
Noise level	
TVA900	71 dBA
TVA900/60Hz	74 dBA



# Stainless Steel Immersion Pumps

## Pump system, fully assembled

Series TVG and TVA:  
Stainless steel pump with mounting plate  
and piping fully assembled.



# Stainless Steel Immersion Pumps

## Medium pressure pumps STH-N

Series STH-N use closed impellers in order to minimize power consumption and to optimize hydraulic pump efficiencies. In addition, the STH-N series offers high pressures at short immersion depths.

A **frequency converter** can be supplied for **special applications** or for matching the pump characteristic to a specific duty point.

Please find further information in our Main Catalogue "Coolant Pumps": STH2 to STH17



(S)TH-N

### Construction

Pump body	CrNi-steel
Cover	CrNi-steel
Impellers	CrNi-steel
Shaft	CrNi-steel
Diffusers	CrNi-steel
Mechanical seal	SiC
O-rings	Viton

### Pump Curves

One key feature of the STH-N series pumps is their non-overloading motors. These pumps can be operated across the entire pump curve without damaging the motor. This key advantage applies for all allowed fluids, including coolant oils. For specific applications where only one working point is required, the pump/motor combinations can be reviewed and a smaller motor size might be applicable.

### Number of Stages

STH-N pump curves are determined by the number of impeller used within the pump. Within the range the immersion depth can be extend up to the maximum mentioned length. Example: STH203A890 (3 impeller, 890 mm immersion depth)

# The Brinkmann Pumps network – This is the way to find us.



BRINKMANN PUMPS has a global presence and direct representation throughout Europe, Asia and North America. This ensures quick response times, competent consulting personnel and the highest level of service, which Brinkmann Pumps is known for, anytime and anywhere. Visit our website – where you will find all the contact details for our representative offices. Visit us and convince yourself of our capabilities.

Welcome to BRINKMANN PUMPS.



## BRINKMANN PUMPS

K.H. Brinkmann GmbH & Co. KG  
Friedrichstraße 2  
58791 Werdohl  
Germany

Brinkmann Pumps Inc.  
47060 Cartier Drive  
Wixom, MI 48393  
United States

Brinkmann Pumps Japan Co. Ltd.  
2-19-12, Engyo Fujisawa  
Kanagawa, 252-0805  
Japan

T +49 2392 5006-0  
F +49 2392 5006-180  
sales@brinkmannpumps.de  
www.brinkmannpumps.de

T +1 248 926 9400  
F +1 248 926 9405  
sales@brinkmannpumps.com  
www.brinkmannpumps.com

T +81 466 778320  
F +81 466 778321  
sales@brinkmannpumps.jp  
www.brinkmannpumps.jp